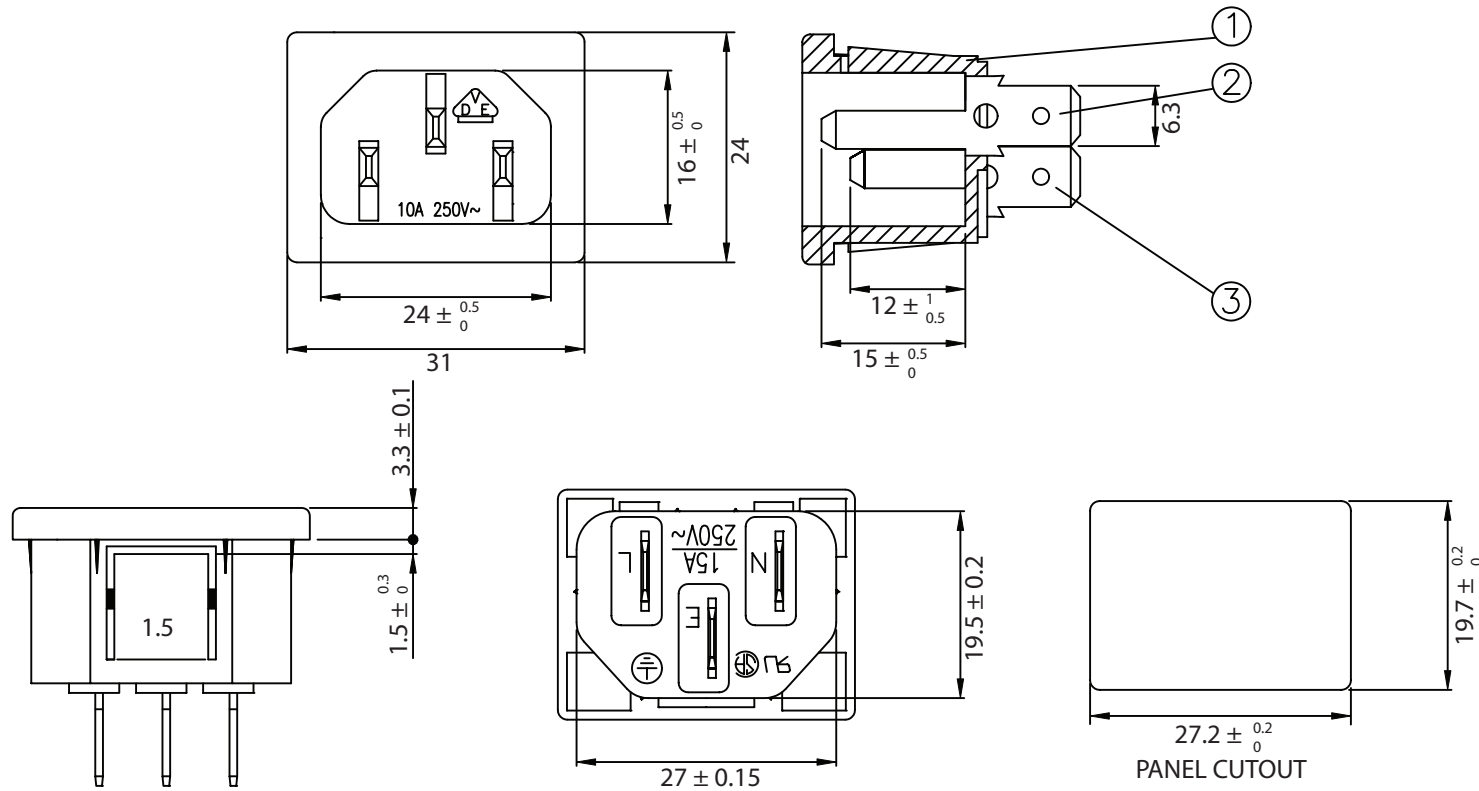


THESE DRAWINGS ARE THE PROPERTY OF QUALTEK ELECTRONICS AND NOT TO BE REPRODUCED FOR OR COMMUNICATED TO A THIRD PARTY WITHOUT THE EXPRESS WRITTEN PERMISSION OF AN OFFICER OF QUALTEK ELECTRONICS.

| REVISION | | | |
|----------|-------------------|----------|----------|
| REV. | DESCRIPTION | DATE | APPROVED |
| B | RoHS Compliancy | 06-01-06 | DP |
| C | Updated Approvals | 07-18-08 | DP |



CONTROLLED

NOTES:

RATING:

UL, CSA: 15A 250V AC
 VDE: 10A 250V AC
 APPROVALS: UL, CSA, VDE, CCC
 PANEL THICKNESS: 1.5mm
 RoHS COMPLIANT

| | | |
|---|---|---|
| 3 | Contact PIN Bronze Strip t=2mm Tin-Plated | 2 |
| 2 | Contact PIN Bronze Strip t=2mm Tin-Plated | 1 |
| 1 | Body Insulator PC 940A Black Color | 1 |

| Dim range (mm) | Tolerance +/- (mm) | Qualtek Electronics Corp. PPC DIVISION | | |
|----------------|--------------------|---|----------------------------|-----------------------------------|
| | | Part Number: 701W-15/31 | RoHS Compliant | |
| 0-1 | 0.15 | Description: SNAP-IN INLET | | |
| 1-6 | 0.20 | | | |
| 6-18 | 0.30 | | | |
| 18-50 | 0.50 | | | |
| 50-120 | 0.70 | Drawn / Date | UNIT: mm | REV. C |
| 120-250 | 0.90 | B.Zhang 06-06-02 | Checked / Date 06-06-02 | Approved / Date JZH / 06-06-02 |
| 250-500 | 1.20 | | | |